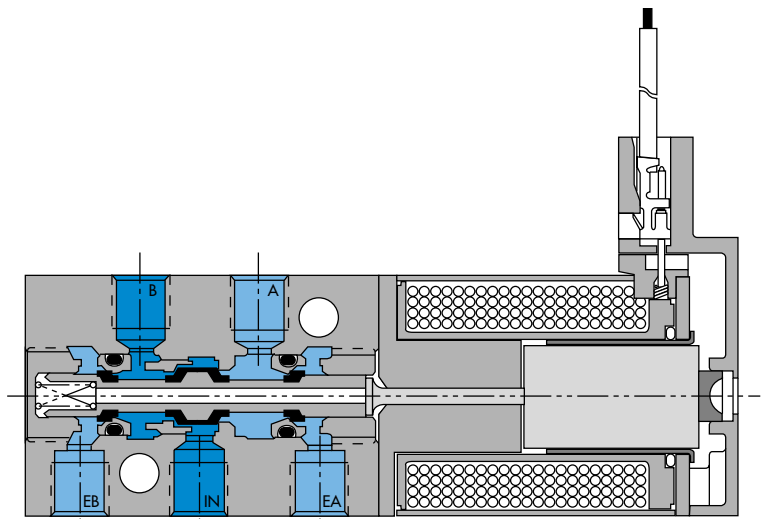


Individual mounting

inline	
--------	--

Circuit bar mounting

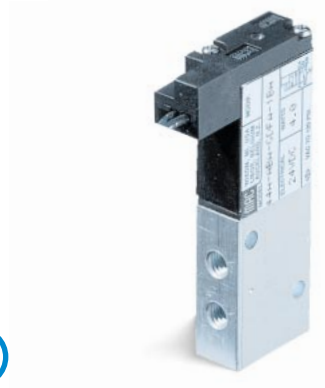
cylinder ports in base		cylinder ports in valve
---------------------------	--	----------------------------



Function	Port size	Flow (Max)	Individual mounting
<b>5/2</b>	<b>M5</b>	<b>100 NI/min</b>	inline

### OPERATIONAL BENEFITS

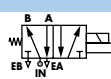
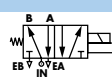
1. 10 mm valve, direct solenoid operated.
2. Balanced poppet, immune to variations of pressure.
3. Short stroke with high flow.
4. The patented solenoid develops high shifting forces.
5. Powerful return spring.
6. Flow is specifically adjusted on each valve.
7. Manual operator standard on all valves.



### HOW TO ORDER

Reset

PRESSURE RANGE : 0 TO 8.5 BAR

Port size	Universal valve	For use with external flow regulators
<b>M5</b>	 44A-ABA-Gxxx-xxx	 44A-BBA-Gxxx-xxx

### SOLENOID OPERATOR >

G **XX X- X XX\***

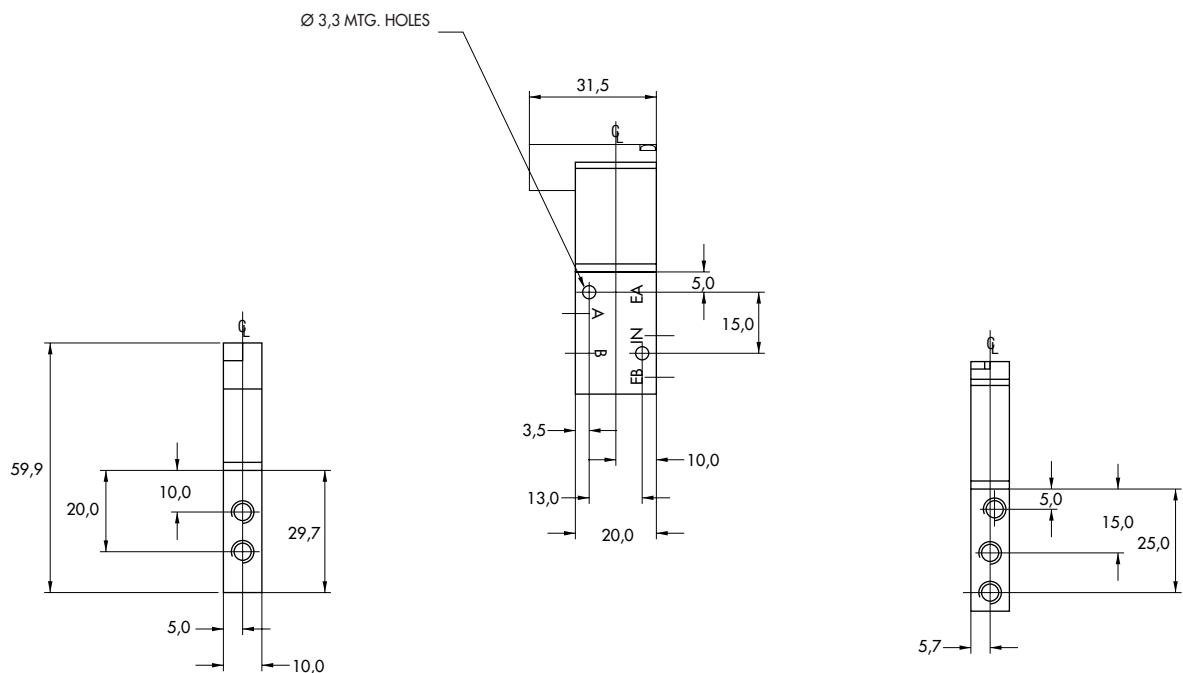
XX Voltage	X Wire length	X Manual operator	XX Electrical connection
<b>DA</b> 24V=/1W	<b>A</b> 45 cm	<b>1</b> Non-locking	<b>BA</b> Flying leads
<b>DC</b> 24V=/1,8W	<b>C</b> 92 cm		<b>BT</b> Flying leads with light
<b>DD</b> 24V=/2,5W			<b>KA</b> Mini connector
<b>DF</b> 24V=/4W			<b>KT</b> Mini connector with light

TECHNICAL  
DATA

<b>Fluid :</b>	Compressed air, vacuum, inert gases
<b>Pressure range :</b>	Vacuum to 8.5 bar
<b>Lubrication :</b>	Not required, if used select a medium aniline point lubricant (between 80°C and 100°C)
<b>Filtration :</b>	40 μ
<b>Temperature range :</b>	-18°C to +50°C
<b>Orifice :</b>	1.8 mm
<b>Flow (at 6 bar, ΔP=1bar) :</b>	4 W : 100NI/min (C <sub>v</sub> 0.1) - 2.5 W : 80 NI/min (C <sub>v</sub> 0.08) - 1.8 W : 60 NI/min (C <sub>v</sub> 0.06) - 1.0 W: 50 NI/min (C <sub>v</sub> 0.05)
<b>Leak rate :</b>	50 cm <sup>3</sup> /min
<b>Coil :</b>	Epoxy encapsulated - class A wires - 100% ED
<b>Voltage range :</b>	-15% to +10% of nominal voltage
<b>Protection :</b>	IP 54
<b>Power :</b>	4 W - 2.5 W - 1.8 W - 1.0 W
<b>Response times :</b>	Energize : 3.5 ms
<b>(with 4 W coil)</b>	De-energize : 1.5 ms

Note : • Valve and coil are not interchangeable.

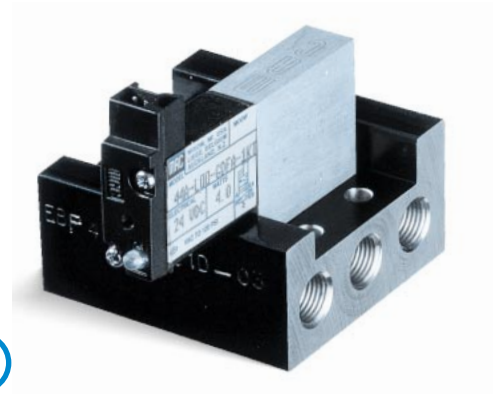
DIMENSIONS



Function	Port size	Flow (Max)	Circuit bar mounting
<b>5/2</b>	<b>M5</b>	<b>80 NI/min</b>	cylinder ports in base

### OPERATIONAL BENEFITS

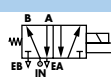
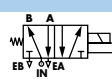
1. 10 mm valve, direct solenoid operated.
2. Balanced poppet, immune to variations of pressure.
3. Short stroke with high flow.
4. The patented solenoid develops high shifting forces.
5. Powerful return spring.
6. Flow is specifically adjusted on each valve.
7. Manual operator standard on all valves.



### HOW TO ORDER

Reset

### HOW TO ORDER VALVE FOR CIRCUIT BAR MOUNTING

Port size (see base)	Universal valve	For use with external flow regulators
		
<b>Valve less base</b>	44A-LOO-Gxxx-xxx	44A-MOO-Gxxx-xxx

### SOLENOID OPERATOR >

G **XX X- X XX\***

XX Voltage	X Wire length	X Manual operator	XX Electrical connection
DA 24V=/1W	A 45 cm	1 Non-locking	BA Flying leads
DC 24V=/1,8W	C 92 cm		BT Flying leads with light
DD 24V=/2,5W			KA Mini connector
DF 24V=/4W			KT Mini connector with light

### HOW TO ORDER CIRCUIT BAR\*\*

Port size	Side cylinder ports	Bottom cylinder ports
<b>M5</b>	EBP44A-001D-xx	EBP44A-002D-xx

\*\* Other options available. Consult factory.

Number of stations (03=3 stations)

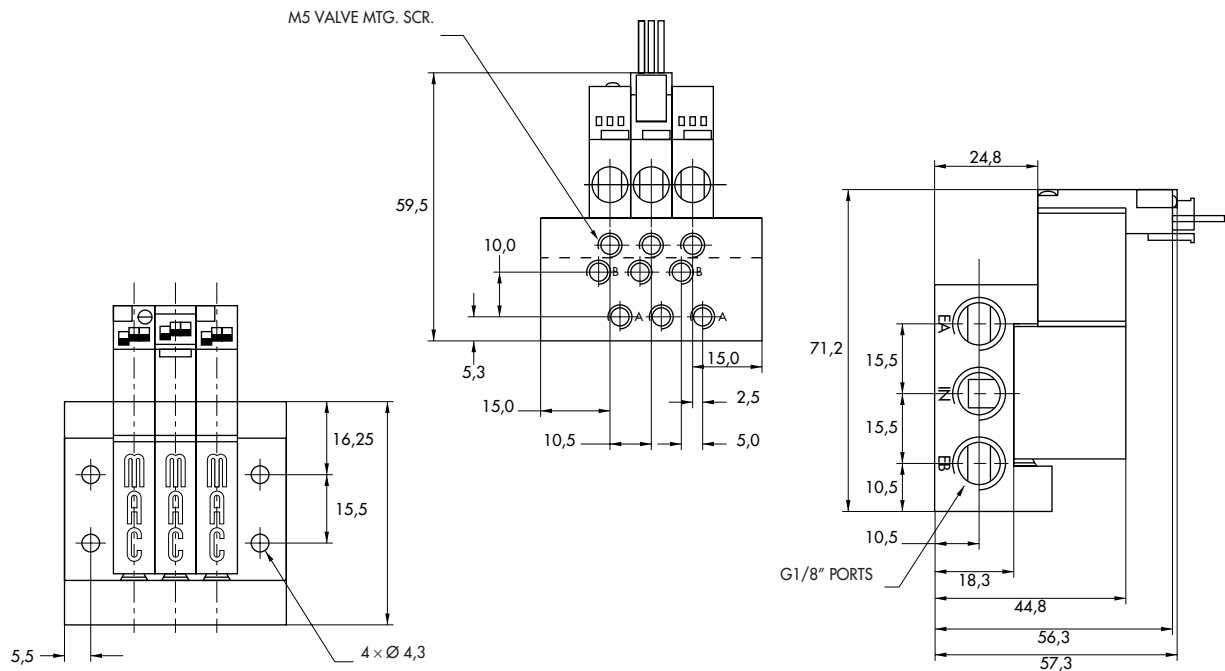
Note : click for valves mounted on base at the factory (add - 9 to the model number).

**TECHNICAL  
D A T A**

<b>Fluid :</b>	Compressed air, vacuum, inert gases
<b>Pressure range :</b>	Vacuum to 8.5 bar
<b>Lubrication :</b>	Not required, if used select a medium aniline point lubricant (between 80°C and 100°C)
<b>Filtration :</b>	40 µ
<b>Temperature range :</b>	-18°C to +50°C
<b>Orifice :</b>	1.8 mm
<b>Flow (at 6 bar, ΔP=1bar) :</b>	4 W : 80NI/min (C <sub>v</sub> 0.08) - 2.5 W : 60 NI/min (C <sub>v</sub> 0.06) - 1.8 W : 40 NI/min (C <sub>v</sub> 0.04) - 1.0 W : 30 NI/min (C <sub>v</sub> 0.03)
<b>Leak rate :</b>	50 cm <sup>3</sup> /min
<b>Coil :</b>	Epoxy encapsulated - class A wires - 100% ED
<b>Voltage range :</b>	-15% to +10% of nominal voltage
<b>Protection :</b>	IP 54
<b>Power :</b>	4 W - 2.5 W - 1.8 W - 1.0 W
<b>Response times :</b>	Energize : 3.4 ms
<b>(with 4 W coil)</b>	De-energize : 1.5 ms

- Note : • Valve and coil are not interchangeable.
- Spare parts : • Valve mounting kit : N-44001. • Blanking plate : 30428-A.
- Options : • Isolation of inlet and/or exhaust.

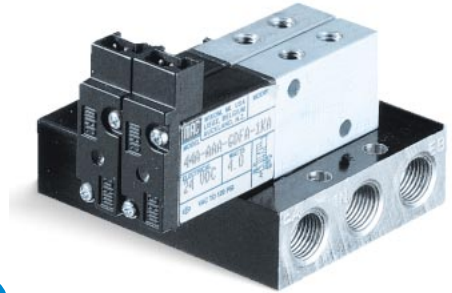
**DIMENSIONS**



Function	Port size	Flow (Max)	Circuit bar mounting
<b>5/2</b>	<b>M5</b>	<b>80 NI/min</b>	cylinder ports in valve

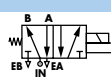
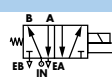
### OPERATIONAL BENEFITS

1. 10 mm valve, direct solenoid operated.
2. Balanced poppet, immune to variations of pressure.
3. Short stroke with high flow.
4. The patented solenoid develops high shifting forces.
5. Powerful return spring.
6. Flow is specifically adjusted on each valve.
7. Manual operator standard on all valves.



### HOW TO ORDER Reset

#### HOW TO ORDER VALVE FOR CIRCUIT BAR MOUNTING

Port size M5	Universal valve	For use with external flow regulators
		
<b>Valve less base</b>	44A-ABA-Gxxx-xxx	44A-BBA-Gxxx-xxx

#### SOLENOID OPERATOR >

G **XX X- X XX\***

XX Voltage	X Wire length	X Manual operator	XX Electrical connection
<b>DA</b> 24V=/1W	<b>A</b> 45 cm	<b>1</b> Non-locking	<b>BA</b> Flying leads
<b>DC</b> 24V=/1,8W	<b>C</b> 92 cm		<b>BT</b> Flying leads with light
<b>DD</b> 24V=/2,5W			<b>KA</b> Mini connector
<b>DF</b> 24V=/4W			<b>KT</b> Mini connector with light

#### HOW TO ORDER CIRCUIT BAR\*\*

Port size	
<b>M5</b>	EBM44A-001D-xx
<b>G1/8"</b>	EBM44A-002C-xx

\*\* Other options available. Consult factory.

Number of stations (03=3 stations)

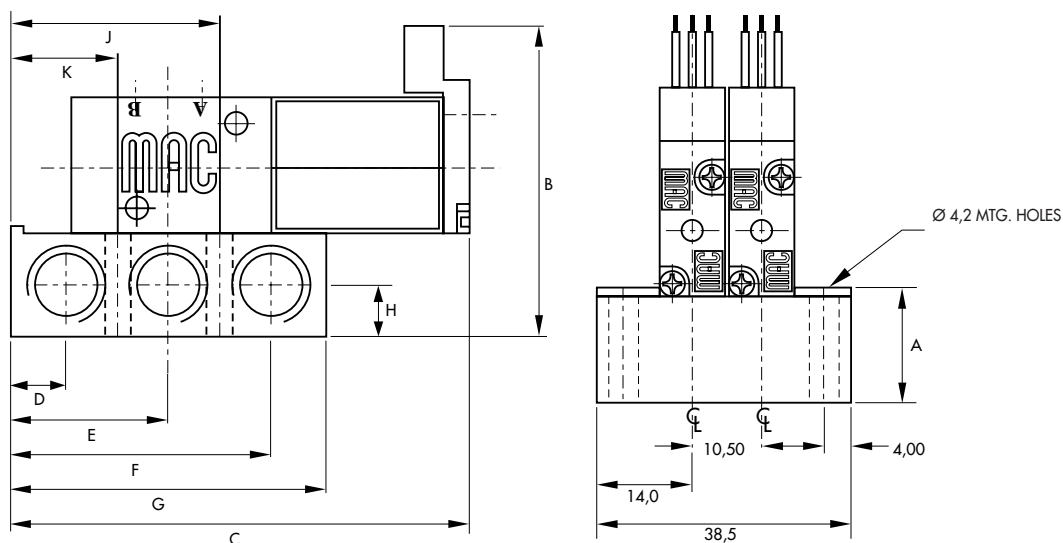
Note : click for valves mounted on base at the factory (add - 9 to the model number).

**TECHNICAL  
DATA**

<b>Fluid :</b>	Compressed air, vacuum, inert gases
<b>Pressure range :</b>	Vacuum to 8.5 bar
<b>Lubrication :</b>	Not required, if used select a medium aniline point lubricant (between 80°C and 100°C)
<b>Filtration :</b>	40 µ
<b>Temperature range :</b>	-18°C to +50°C
<b>Orifice :</b>	1.8 mm
<b>Flow (at 6 bar, ΔP=1bar) :</b>	4 W : 80NI/min (C <sub>v</sub> 0.08) - 2.5 W : 60 NI/min (C <sub>v</sub> 0.06) - 1.8 W : 40 NI/min (C <sub>v</sub> 0.04) - 1.0 W : 30 NI/min (C <sub>v</sub> 0.03)
<b>Leak rate :</b>	50 cm <sup>3</sup> /min
<b>Coil :</b>	Epoxy encapsulated - class A wires - 100% ED
<b>Voltage range :</b>	-15% to +10% of nominal voltage
<b>Protection :</b>	IP 54
<b>Power :</b>	4 W - 2.5 W - 1.8 W - 1.0 W
<b>Response times :</b>	Energize : 3.5 ms
<b>(with 4 W coil)</b>	De-energize : 1.5 ms

- Note : • Valve and coil are not interchangeable.
- Spare parts : • Valve mounting kit (M5) : M-44001-21. • Valve mounting kit (G1/8") : M-44001-01.
- Options : • Isolation of inlet and/or exhaust.

**DIMENSIONS**



Port size	A	B	C	D	E	F	G	H	J	K
<b>G1/8"</b>	16,0	47,5	69,2	8,5	24,0	39,5	48,0	8,0	31,85	16,15
<b>M5</b>	12,0	43,5	63,2	5,0	17,0	29,0	34,0	6,0	23,00	11,00

---

**Codification table for voltages / Manual operator / Electrical connection**

---

VALVE CODE >

**-G XX X - 1 XX**  
**1 2 3 4**

**OPTIONS AVAILABLE FOR**

- solenoid valves 34 & 44 Series

---



<b>1. VOLTAGE (type 34 Series)</b>		<b>1. VOLTAGE (type 44 Series)</b>	
<b>-G XX X - 1 XX</b>	<b>VOLTAGE</b>	<b>-G XX X - 1 XX</b>	<b>VOLTAGE</b>
<b>DC</b>	24 V~/1,8 W	<b>DA</b>	24 V~/1,0 W
<b>DD</b>	24 V~/2,5 W	<b>DC</b>	24 V~/1,8 W
<b>DE</b>	24 V~/3,0 W	<b>DD</b>	24 V~/2,5 W
<b>DF</b>	24 V~/4,0 W	<b>DF</b>	24 V~/4,0 W
<b>DJ</b>	12 V~/1,8 W	<b>DG</b>	12 V~/1,0 W
<b>DK</b>	12 V~/2,5 W	<b>DJ</b>	12 V~/1,8 W
<b>DM</b>	12 V~/3,0 W	<b>DK</b>	12 V~/2,5 W
<b>DN</b>	12 V~/4,0 W	<b>DN</b>	12 V~/4,0 W
<b>ED</b>	120 V~/50 Hz (2,5 W)	<b>ED</b>	120 V~/50 Hz (2,5 W)

<b>2. WIRE LENGTH (Common options for 34 &amp; 44 Series)</b>	
<b>-G XX X - 1 XX</b>	<b>WIRE LENGTH</b>
<b>A</b>	45 cm - 18"
<b>B</b>	60 cm - 24"
<b>C</b>	90 cm - 36"
<b>D</b>	120 cm - 48"
<b>E</b>	180 cm - 72"
<b>F</b>	240 cm - 96"
<b>G</b>	305 cm - 120"
<b>H</b>	366 cm - 144"

### 3. MANUAL OPERATOR

<b>-G XX X - I XX</b>	<b>MANUAL OPERATOR</b>
<b>I</b>	Non-locking recessed

### 4. ELECTRICAL CONNECTION

<b>-G XX X - I XX</b>	<b>NO CONNECTOR</b>
<b>BA</b>	Flying leads
<b>BB</b>	BA with ground wire
<b>BC</b>	BA with light
<b>BD</b>	BA with light and ground wire
<b>BE</b>	BA with suppression diode
<b>BF</b>	BA with suppression diode and ground wire
<b>BG</b>	BA with suppression diode and light
<b>BH</b>	BA with suppression diode, light and ground wire
<b>BN</b>	BA with suppression diode and blocking diode
<b>BP</b>	BA with suppression diode, blocking diode and ground wire
<b>BR</b>	BA with suppression diode, blocking diode and light
<b>BS</b>	BA with suppression diode, blocking diode, light and ground wire
<b>BT</b>	BA with light
<b>BU</b>	BA with light and ground wire
<b>BV</b>	BA with suppression diode and light
<b>BW</b>	BA with suppression diode, light and ground wire
<b>BX</b>	BA with suppression diode, blocking diode and light
<b>BY</b>	BA with suppression diode, blocking diode, light and ground wire

<b>-G XX X - I XX</b>	<b>PLUG-IN CONNECTOR</b>
<b>KA</b>	Mini connector with flying leads
<b>KB</b>	KA with ground wire
<b>KE</b>	KA with suppression diode
<b>KF</b>	KA with suppression diode and ground wire
<b>KJ</b>	Mini connector for <b>KA</b> option
<b>KM</b>	Mini connector for <b>KB</b> option
<b>KN</b>	KA with suppression diode and blocking diode
<b>KP</b>	KA with suppression diode, blocking diode and ground wire
<b>KT</b>	KA with light
<b>KU</b>	KA with light and ground wire
<b>KV</b>	KA with suppression diode and light
<b>KW</b>	KA with suppression diode, light and ground wire
<b>KX</b>	KA with suppression diode, blocking diode and light
<b>KY</b>	KA with suppression diode, blocking diode, light and ground wire